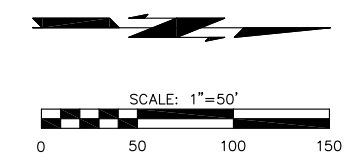
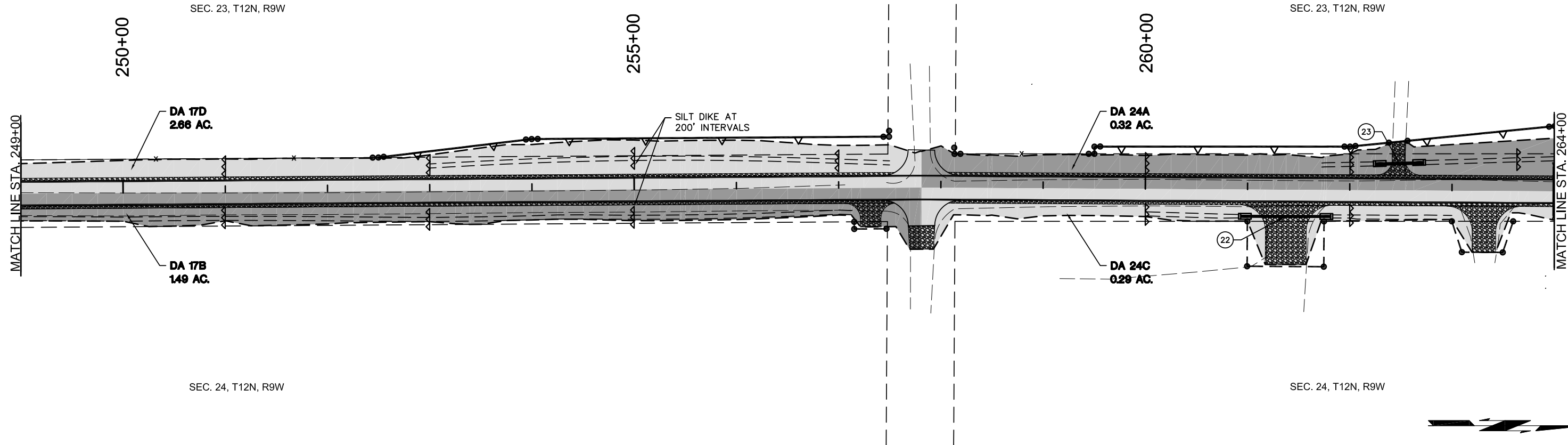
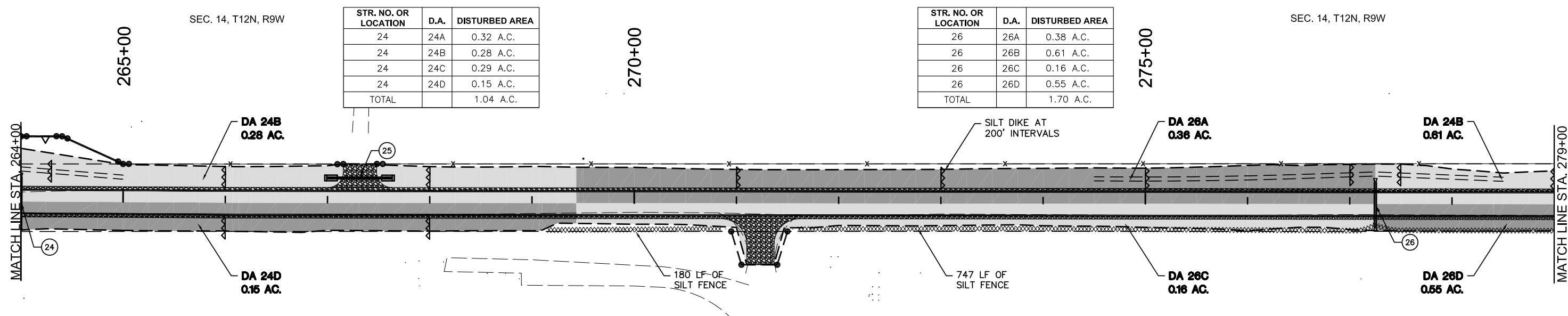


REVISIONS		
REV. NO.	DESCRIPTION	DATE
-	-	-



STR. NO. OR LOCATION	D.A.	DISTURBED AREA
24	24A	0.32 A.C.
24	24B	0.28 A.C.
24	24C	0.29 A.C.
24	24D	0.15 A.C.
TOTAL		1.04 A.C.

STR. NO. OR LOCATION	D.A.	DISTURBED AREA
26	26A	0.38 A.C.
26	26B	0.61 A.C.
26	26C	0.16 A.C.
26	26D	0.55 A.C.
TOTAL		1.70 A.C.



LEGEND	
TEMPORARY SILT DIKE	
TEMPORARY SILT FENCE	
RIP RAP	
SOLID SLAB SODDING	

DESIGN		LKJ		CALUMET ROAD		CANADIAN COUNTY	
DRAWN		GLH		OKLAHOMA DEPARTMENT OF TRANSPORTATION			
CHECKED		SK					
APPROVED							
SQUAD		MKEC		EROSION CONTROL PLAN (6)		STATE JOB NO. 27858(04)	
						SHEET NO. R008	

N:\AF-CALUMET RD-CANADIAN COUNTY\DRAWINGS\AF-EROSION CONTROL.DWG 05/2017